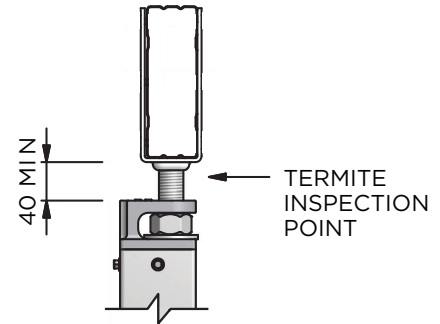


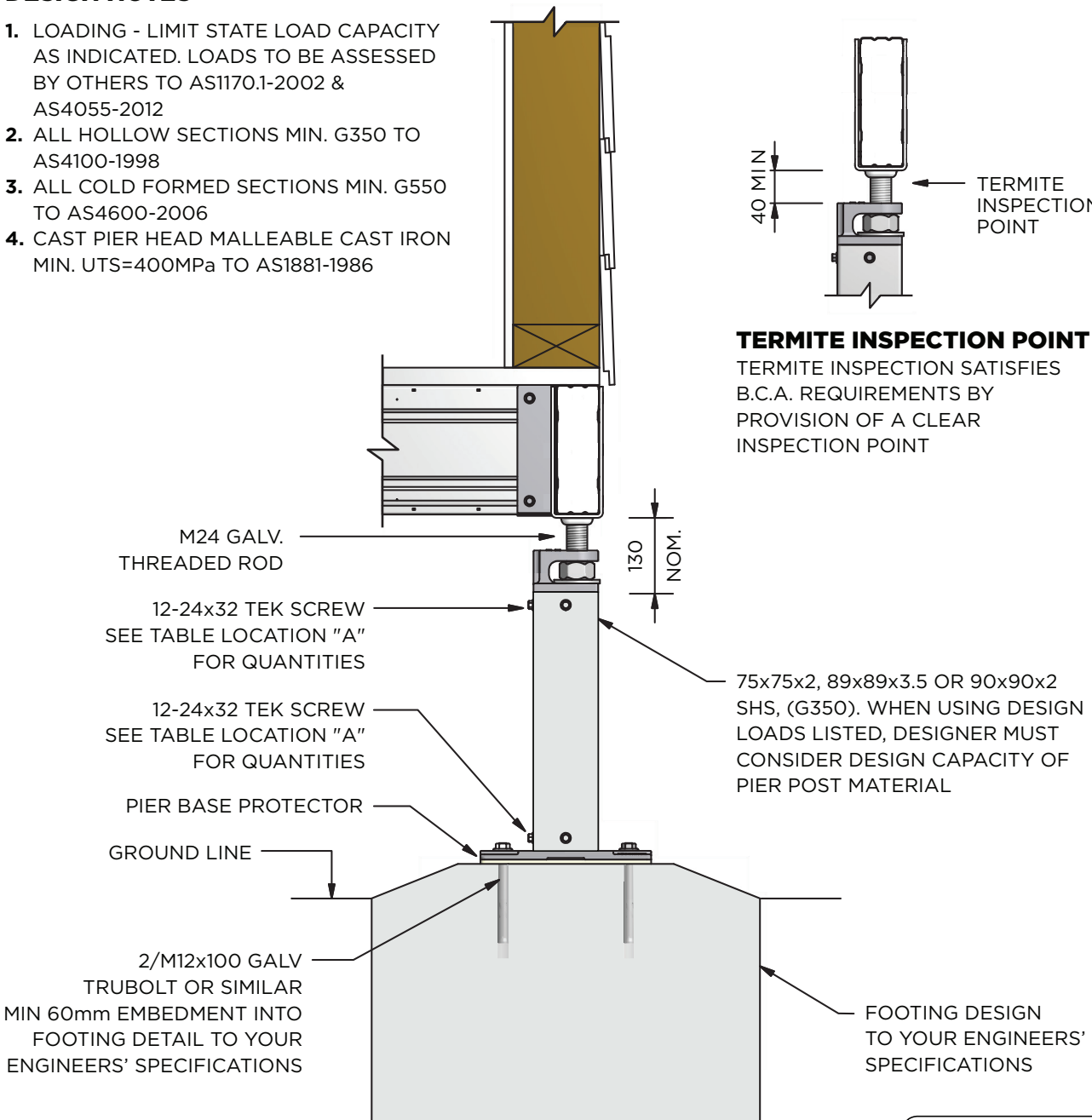
DESIGN NOTES

1. LOADING - LIMIT STATE LOAD CAPACITY AS INDICATED. LOADS TO BE ASSESSED BY OTHERS TO AS1170.1-2002 & AS4055-2012
2. ALL HOLLOW SECTIONS MIN. G350 TO AS4100-1998
3. ALL COLD FORMED SECTIONS MIN. G550 TO AS4600-2006
4. CAST PIER HEAD MALLEABLE CAST IRON MIN. UTS=400MPa TO AS1881-1986



TERMITE INSPECTION POINT

TERMITE INSPECTION SATISFIES B.C.A. REQUIREMENTS BY PROVISION OF A CLEAR INSPECTION POINT



DESIGN LOAD CAPACITIES

LIMIT STATE VERTICAL DOWNWARD LOAD CAPACITY 54kN
 LIMIT STATE MAXIMUM UPLIFT LOAD CAPACITY 27kN

TEK SCREW QTY LOCATION "A"	MAX UPLIFT CAPACITY kN
6	27.0
4	19.2
4	16.2
3	10.8
2	9.6

Structural Design Certification By:

DESIGN. PLAN. MANAGE

ACN 088 342 645
 136 Darling Street, Dubbo NSW 2830

Richard J. Noonan

Richard J. Noonan
 BE(Hons)ME MIEAust CPEng
 NPER 472690, RPEQ 5264,
 VIC EC2249, NT 11585ES,

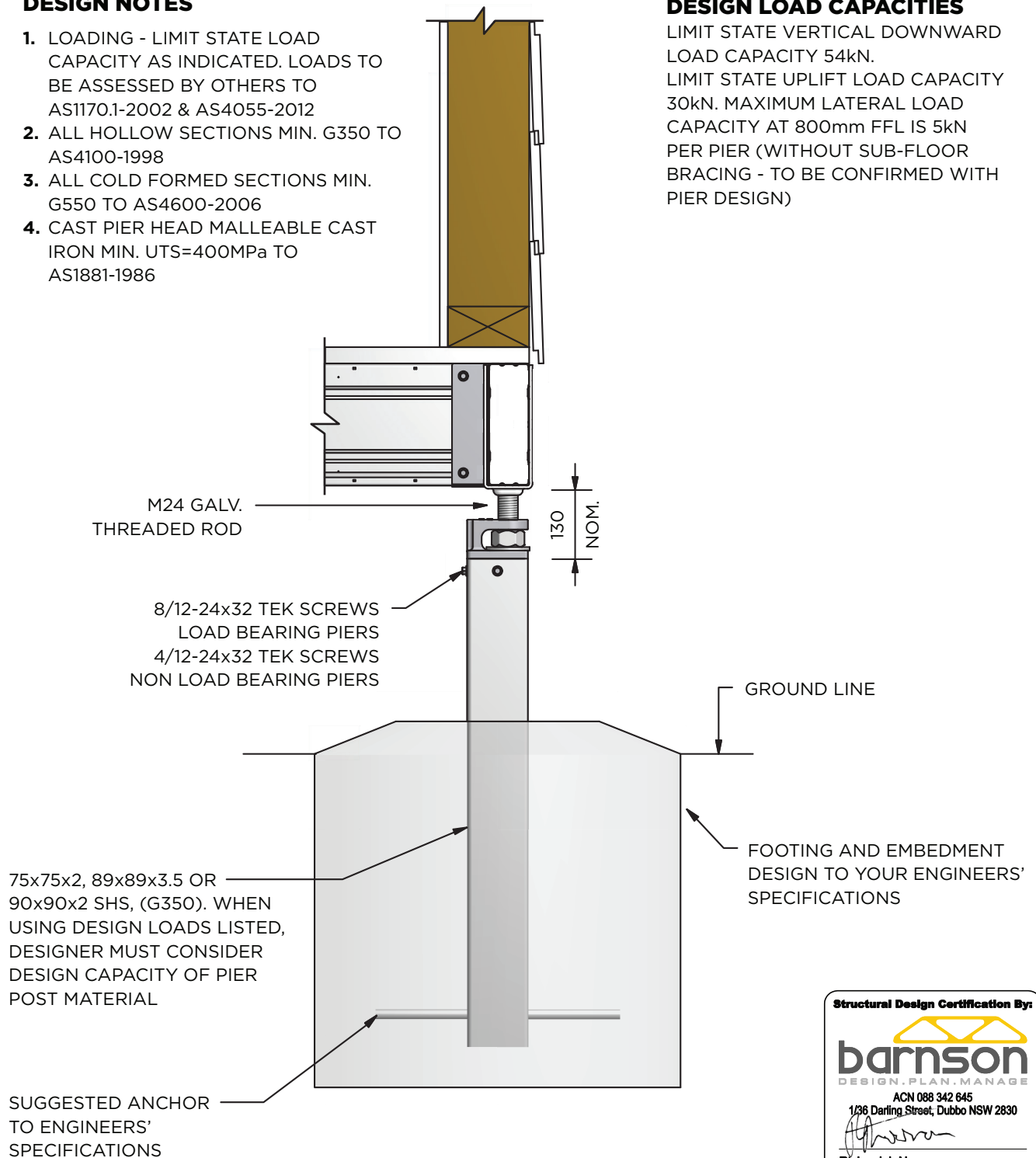
Date: 18-09-2014
 Reference No: 20727

DESIGN NOTES

1. LOADING - LIMIT STATE LOAD CAPACITY AS INDICATED. LOADS TO BE ASSESSED BY OTHERS TO AS1170.1-2002 & AS4055-2012
2. ALL HOLLOW SECTIONS MIN. G350 TO AS4100-1998
3. ALL COLD FORMED SECTIONS MIN. G550 TO AS4600-2006
4. CAST PIER HEAD MALLEABLE CAST IRON MIN. UTS=400MPa TO AS1881-1986

DESIGN LOAD CAPACITIES

LIMIT STATE VERTICAL DOWNWARD LOAD CAPACITY 54kN.
LIMIT STATE UPLIFT LOAD CAPACITY 30kN. MAXIMUM LATERAL LOAD CAPACITY AT 800mm FFL IS 5kN PER PIER (WITHOUT SUB-FLOOR BRACING - TO BE CONFIRMED WITH PIER DESIGN)



Structural Design Certification By:

DESIGN . PLAN . MANAGE
ACN 088 342 645
136 Darling Street, Dubbo NSW 2830

Richard J. Noonan
Richard J. Noonan
BE(Hons)ME MIEAust CPEng
NPER 472690, RPEQ 5264,
VIC EC2249, NT 11585ES,

Date: 18-09-2014
Reference No: 20727

SPANTEC <small>SPANTEC SYSTEMS Pty Ltd ABN 56 053 584 384</small>	<small>17 Drapers Road Braemar NSW 2575 PO Box 81 Mittagong NSW 2575 Australia Phone 02 4860 1000 Fax 02 4872 1616 www.spantec.com.au</small>	<small>DATE DRAWN</small> 03/04/15	<small>DWG FILE</small> 	<small>JOB DETAILS</small> EZIPIER CYCLONIC WIND CONDITIONS	<small>DESIGNED</small> GMC	<small>JOB REFERENCE</small> P04-02
	<small>SCALE</small> NTS	<small>VIEW NAME</small> 	<small>REVISION</small> 			